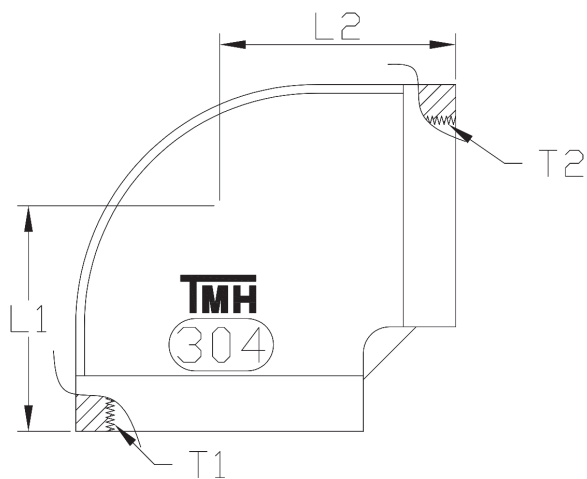


304/316 Elbow

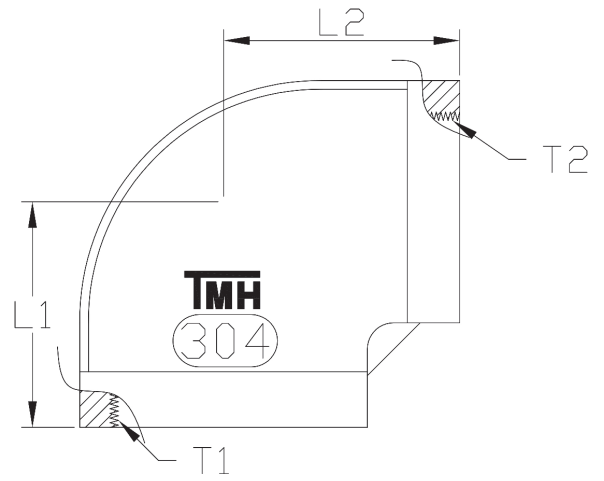
Specification	Model No.	L	Thread-BSPT				
1/4	AC20022	16	11.4				
3/8	AC20033	16.6	15				
1/2	AC20044	25.7	18.6				
3/4	AC20066	28.2	24.1				
1"	AC20110	34.1	30.3				
1-1/4"	AC20128	39.8	39				
1-1/2"	AC21414	43.8	44.9				
2"	AC20150	50.9	56.7				
2-1/2"	AC20250	62	72.2				
3"	AC20330	70	85.9				
4"	AC20440	84.2	110.1				



304/316 Reducing Elbow-1

Specification	Model No.	L1	L2	Thread-BSPT.1	Thread-BSPT.2		
1/4*3/8	AC20023	19.9	21.9	15	11.4		
3/4*1/2	AC20064	23	26.7	18.6	24.1		
1*1/2	AC20104	26.1	31	18.6	30.3		
1*3/4	AC20106	29.4	32.3	24.1	30.3		
1-1/4*1/2	AC20124	28	35	18.6	39		
1-1/4*3/4	AC20126	30.8	35.6	24.1	39		
1/1/4*1	AC20127	34.3	37.7	30.3	39		
1-1/2*1/2	AC20144	28.5	37.7	18.6	44.9		
1-1/2*3/4	AC20145	31.7	38.7	24.1	44.9		
1-1/2*1	AC20146	35.5	40.6	30.3	44.9		
1-1/2*1-1/4"	AC20147	40.5	41.5	39	44.9		
2"*1/2	AC20204	30.3	43.3	18.6	56.7		
2*3/4	AC20206	33.7	44.5	24.1	56.7		

304/316 Stainless Steel Fitting



304/316 Reducing Elbow-2

Specification	Model No.	L1	L2	Thread-BSPT.1	Thread-BSPT.2		
2*1	AC20210	37.2	47.2	30.3	56.7		
2*1-1/4	AC20212	42.6	48.4	39	56.7		
2*1-1/2	AC20214	44.6	48.4	44.9	56.7		

