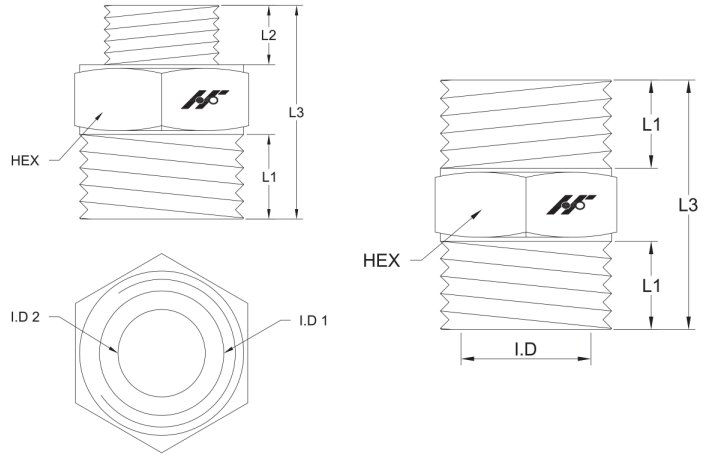


Male Thread Fitting-1

Specification	Model No.	I.D 1	I.D 2	L1	L2	L3	HEX	Thread-BSPT 1	Thread-BSPT 2
1/8" * 1/8"	CD10011	6	6	8.5		21	10	9.7	9.7
1/4" * 1/8"	CD10021	8.9	6	10.5	8.2	23	14	13.2	9.7
1/4" * 1/4"	CD10022	8.8	8.8	10.5		25	14	13.2	13.2
3/8" * 1/4"	CD10032	10	8	14.4	12.3	34	19	16.7	13.2
3/8" * 3/8"	CD10033	12	12	11.5		27	17	16.7	16.7
1/2" * 1/4"	CD10042	15	8.8	13	11.6	28	20.7	21	13.2
1/2" * 3/8"	CD10043	15	12	13	11.6	28	20.7	21	16.7
1/2" * 1/2"	CD10044	13.6	13.6	14		38	21	21	21
3/4" * 3/8"	CD10063	19	10	18.5	14.6	42	28	26.4	16.7
3/4" * 1/2"	CD10064	19.5	15	14	13.5	33	27	26.4	21
3/4" * 3/4"	CD10066	20	20	15		36.9	28	26.4	26.4
1" * 1/2"	CD11004	25	14	18	15	41.8	35	33.3	21
1" * 3/4"	CD11006	26	19.8	18.8	16	41	35	33.3	26.4
1" * 1"	CD11010	25	25	18.1		48	35	33.3	33.3



Male Thread Fitting-2

Specification	Model No.	I.D 1	I.D 2	L1	L2	L3	HEX	Thread-BSPT 1	Thread-BSPT 2
1-1/4" *1"	CD11210	30.5	25	28	20.5	60	45	41.9	33.3
1-1/4" *1-1/4"	CD11212	33	33	21	21	52.6	44.1	41.9	41.9
1-1/2" *1-1/2"	CD11414	38	38	24	24	64	51	47.8	47.8
2" *2"	CD12020	49	55	27	24	64.5	65.5	59.6	59.6