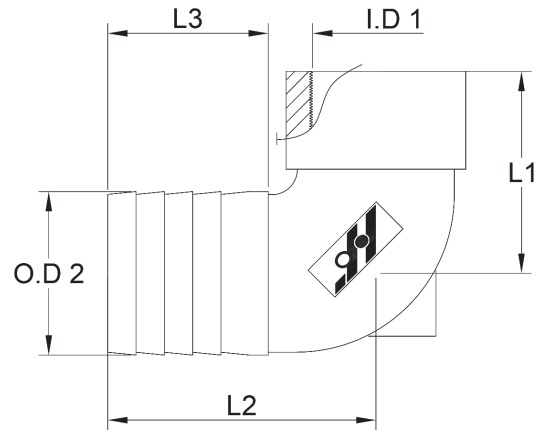


Female Hose Tail Fitting-1

Specification	Model No.	O.D 2	L1	L2	L3	Thread-BSPT
3/8" *3/8"	CE60033	10.5	32.3	36.1	23	15
3/8" *1/2"	CE60034	13.5	32.3	35.8	21.6	15
3/8" *5/8"	CE60035	17.5	35.2	33.3	20.3	15
1/2" *3/8"	CE60043	10.5	39.2	41.5	224.3	18.6
1/2" *1/2"	CE60044	13.5	33.8	53	33.3	18.6
1/2" *5/8"	CE60045	17.5	34.3	53.2	32.3	18.6
1/2" *3/4"	CE60046	20.6	34.2	52.7	32.5	18.6
3/4" *1/2"	CE60064	13.5	31.3	50.8	28	24.1
3/4" *5/8"	CE60065	17.5	43	57.6	34.8	24.1
3/4" *3/4"	CE60066	20.6	44.3	57.4	35.5	24.1
3/4" *1"	CE60068	26.4	47	66	43	24.1
1" *1"	CE61010	26.4	46.8	67	42.5	30.3
1" *1-1/4"	CE61012	33.3	48.2	69.5	42.1	30.3
1" *1-1/2"	CE61014	38.7	49	75.7	48.6	30.3



Female Hose Tail Fitting-2

Specification	Model No.	O.D 2	L1	L2	L3	Thread-BSPT
1-1/4" *1-1/4"	CE61212	33.3	51	74	43.4	39
1-1/4" *1-1/2"	CE61214	38.7	52.3	77.4	49.5	39
1-1/2" *1"	CE61410	26.4	53.4	74.8	42	44.9
1-1/2" *1-1/4"	CE61412	33.3	52.8	74.2	47	44.9
1-1/2" *1-1/2"	CE61414	38.7	53.7	77	49	44.9
1-1/2" *2"	CE61420	51.7	63.3	75.8	51	44.9
2" *2-1/2"	CE62014	63.7	63.2	87	50	56.7
2" *2"	CE62020	51.7	57	78	49.6	56.7

